

ENGINEERED SOLUTIONS PROVIDER
THERMAL FLUID HEATERS

Kawan®

DOSH Licensed PV & Heating Boiler Maker
PKK Class A Contractor

Kawan Engineering Sdn. Bhd. (385603-U)
(Formerly known as Kawan Dynamic Engineering Sdn. Bhd.)

COMPACT CALORIFIERS

FULL RANGE DESIGN

- Steam, Water, Electric or other primaries
- Direct or indirect cylinders
- Up to 15,000 L of storage
- Storage & semi storage



ASME



ASME U-Stamp Qualified



JAS ANZ



ISO9001:2008 Certified
Approval No.:M/Q 0001



Beli Barangan Malaysia



BUATAN MALAYSIA
PILIHAN BIAK
**'Buy Malaysia,
Smart Choice'**

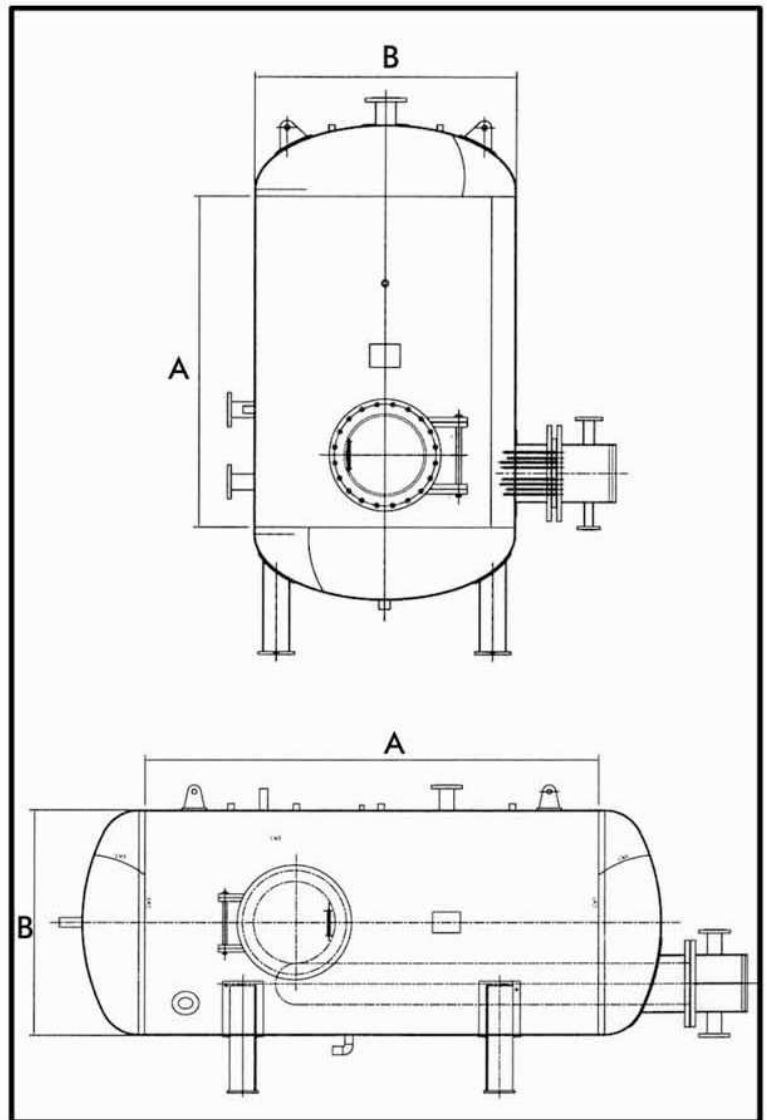
ENERGY-EFFICIENT CALORIFIERS FOR HIGH PEAK LOADS

KAWAN® Compact Calorifiers are the best solutions to energy savings, adapted to fluctuation in demand and respond efficiently to high peak loads. Our calorifiers are designed for a wide range of primary heating sources to suit your needs.

- Minimal floor space required
- Steam, water, electric or other primaries
- Options for thermal storage vessels and buffer tanks
- Tank capacity from 440 to 15,000 L

TECHNICAL SPECIFICATIONS

Capacity (L)	Dimensions (mm)	
	A	B
440	1800	600
550	1700	675
700	1750	750
800	1950	750
900	2000	800
1000	1950	850
1200	2100	900
1350	2350	900
1500	1950	1050
1800	2300	1050
2000	2500	1050
2300	2400	1150
2500	2450	1200
3000	2900	1200
3500	2700	1350
4000	3050	1350
4500	3400	1350
5000	3200	1450
6000	3800	1450
7000	3300	1680
8000	3700	1680
9000	4200	1680
10000	4600	1680
12500	5000	1830
15000	6000	1830



Dimensions are for reference only.

Kawan®

Kawan Engineering Sdn. Bhd. (385603-U)

(Formerly known as Kawan Dynamic Engineering Sdn. Bhd.)

18, Lebuhr Perusahaan 1, IGB Industrial Park, 31200 Ipoh, Perak, Malaysia

Tel: 605-291 3840 / 41 Fax: 605-291 3842

Email: kawan@kawanengineering.com.my

Website: www.kawanengineering.com.my

Your Local Partner: